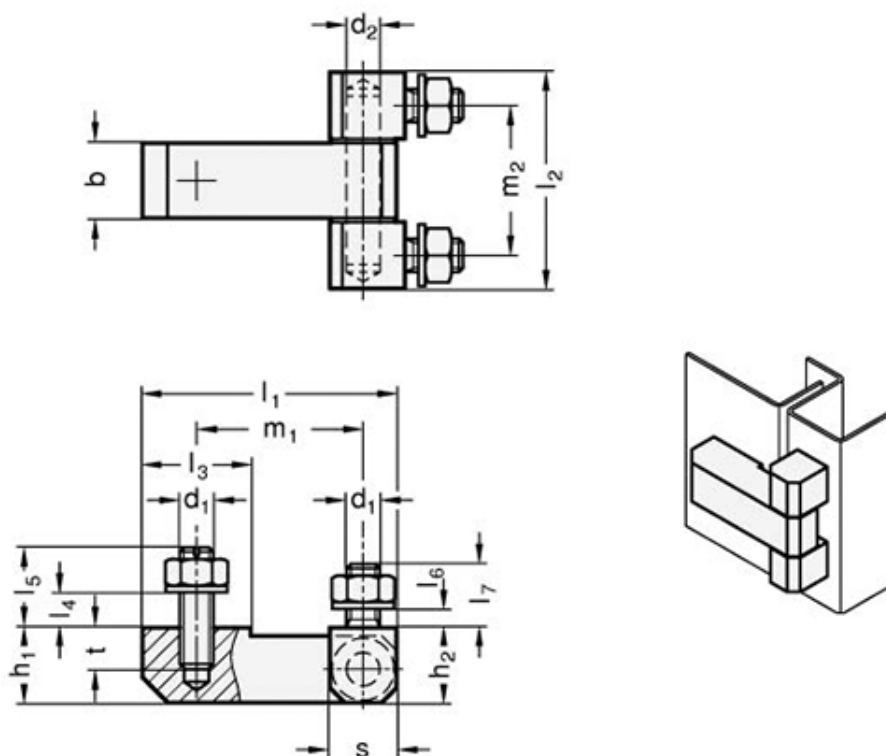


Article number: 2012924540CST

Description: E+G Hinge GN 129.2-45-40-C-ST

Measures



b = 13	l4 = 6
d1 = M6	l5 = 11
d2 = 6	l6 = 5
h1 = 13	l7 = 10
h2 = 13.5	m1 = 30
l1 = 45	m2 = 28.2
l2 = 40	s = 12
l3 = 18	t = 9

Weight in (g) = 97